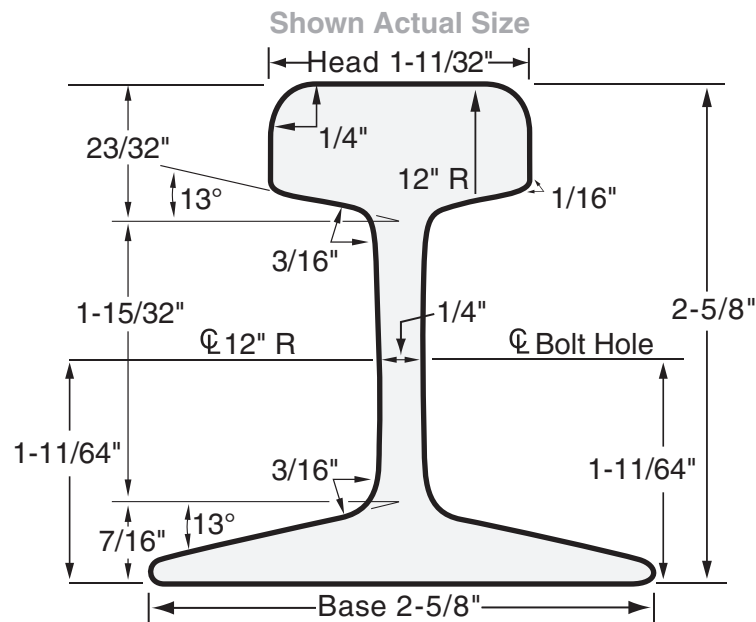


20-lb. ASCE



Rail Type:	20 AS
Section Number:	2040
Nominal Weight:	20 lbs/yd
Standard Length:	30' (20' may also be available)
Standard Drilling:	2" X 4" with 5/8" dia. holes
Splice Bar Length:	16-1/8"
Splice Bar Weight:	6 lbs/pr with hardware: 7 lbs/pr
Track Bolt:	1/2" X 2-1/2"

Area in²:	2.00
Section Modulus in³:	Head: 1.41
Moment of Inertia in⁴:	1.93