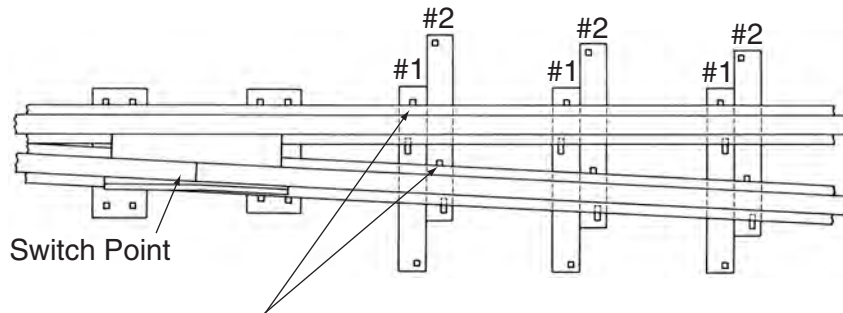


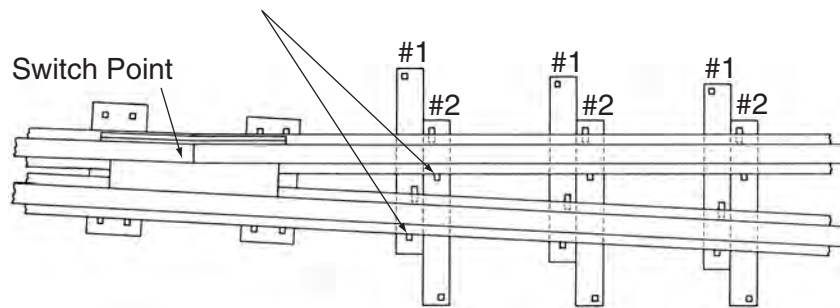


TWIN TIE PLATES

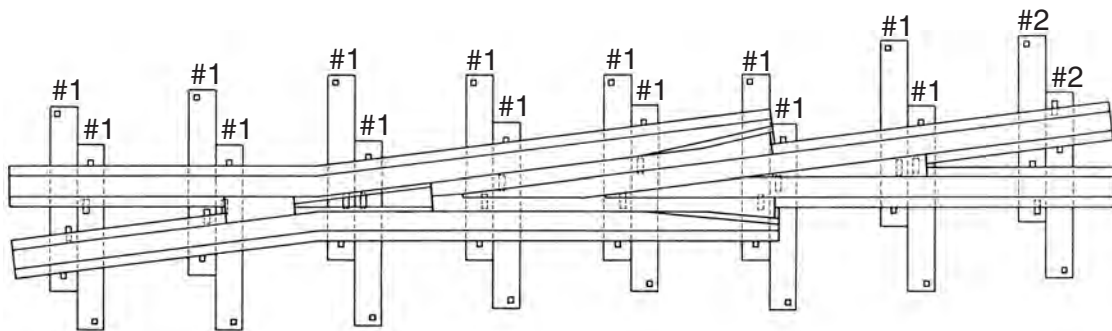
Twin Tie Plates are used for frogs, guard rails, and behind the heel of switches. They are produced to standard AREMA designs and are very versatile. The slotted hole allows them to fit almost any rail section. Their use in pairs, side by side on the same tie, allows them to adapt to different tie spacings, frog angles, etc. The standard AREMA thickness is 3/4", but a 5/8" thickness is common for industrial trackwork. Two typical applications are shown below.



Note: Square Spike Holes (or Hooks) Must Always be on Outside of Rail



Application of Twin Tie Plates No. 1 & No. 2 Behind the Heel of a Switch



Application of Twin Tie Plates No. 1 & No. 2 on Bolted Rigid Frog
Note: Twin Tie Plate No. 2 (or Type LR) to be used on Heel of Frog only
Where it is Possible to Spike Between Rails