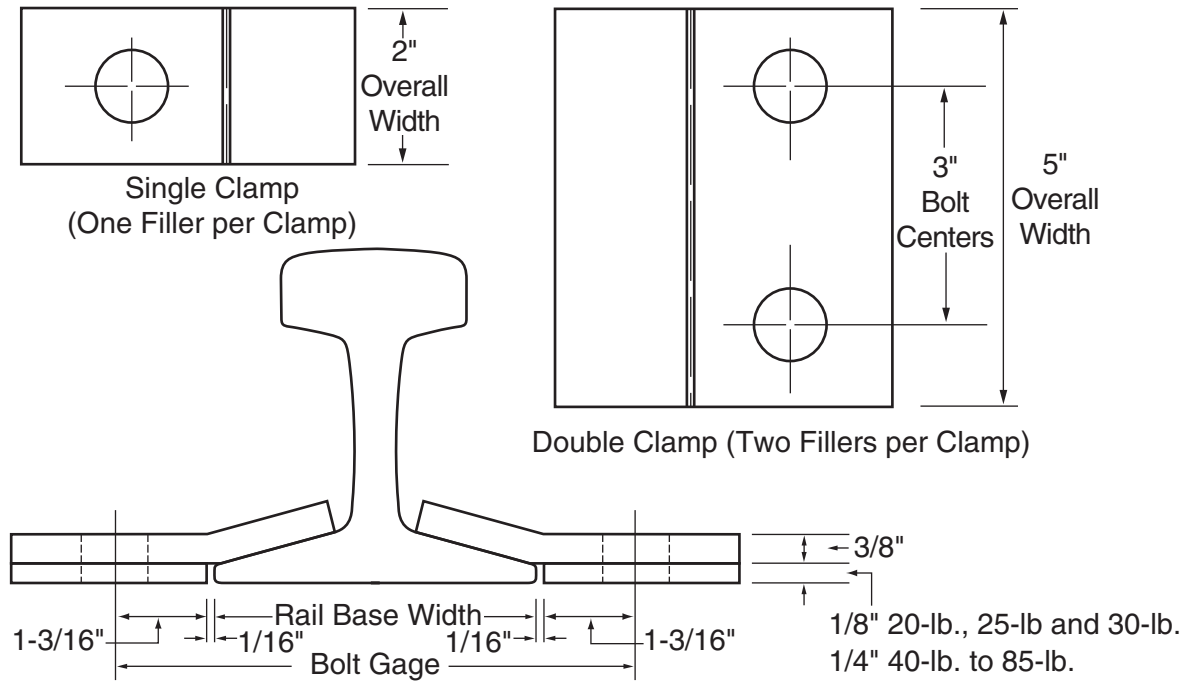


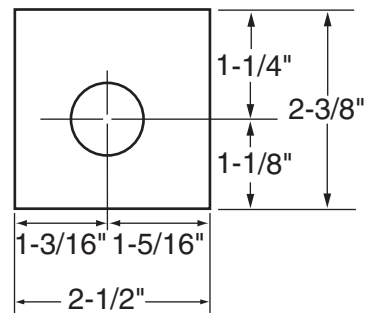
RAIL CLAMPS FOR TEE RAILS

Rail Clamps with Eccentric Fillers



Note: 13/16" Diameter Holes are standard.

Rail Sec.	Bolt Gage	Single Clamp No.	Double Clamp No.
20 AS	5-1/8"	201	202
25 AS	5-1/4"	251	252
30 AS	5-5/8"	301	302
40 AS	6"	401	402
60 AS	6-3/4"	601	602
80 AS	7-1/2"	801	802
85 AS	7-11/16"	851	852



Eccentric Filler

For conditions not listed, please specify:

- A. Rail weight and section.
- B. Bolt gage.
- C. Bolt centers for double clip.
- D. Bolt size (diameter) or hole size.
- E. Width of clip.
- F. If worn rail, width, thickness and taper of rail base.

Clamps with eccentric fillers are used where small gage adjustments are required. Through positioning of the eccentric fillers, the adjustment range is 3/16 in. Both single clamps (with one eccentric filler per clamp) and double clamps (with two fillers per clamp) are available for rail weights of 20 to 85 lbs.